



Steel Motorcycle Jack Instructions for Part # MC-JACK



General Guidelines

- It is the user's responsibility to read and follow all instructions.
- Keep these instructions with the product at all times and review before each use.
- It is the responsibility of this product's owner to furnish the instructions to any person that borrows or purchases the product.
- Inspect the product before use to ensure it is assembled properly and all parts are in safe working order and free of defects.
- Never modify this product in any way.
- All circumstances cannot be addressed in these instructions. Please use common sense and practice general safety measures when using this product.
- Parts and/or instructions are subject to change without notice.

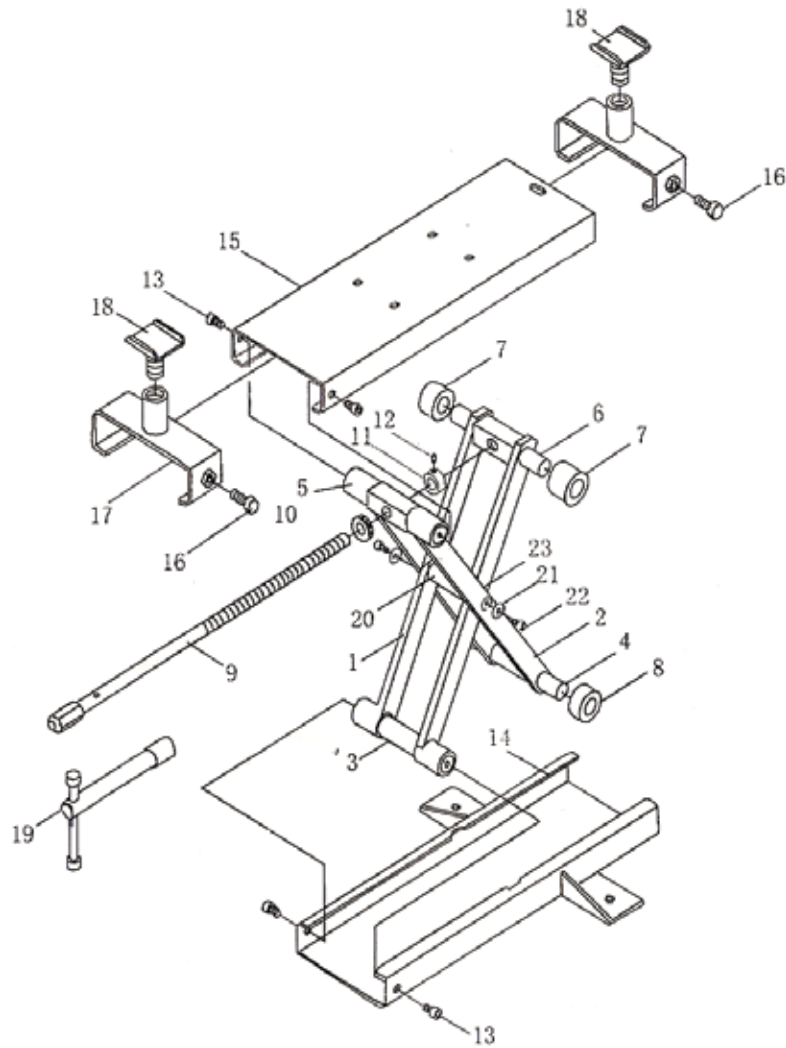
Safety

- Do not exceed the 1100 lb rated capacity.
- This lift is designed to raise the front or rear of a motorcycle only. It is not designed to lift the entire motorcycle. Do not use it for any other purpose it is not designed to perform.
- Keep children and unauthorized persons away from the work area.
- Wear ANSI approved safety goggles when operating the lift.
- Only use this lift in a stable, level, dry, and non-slippery work area. Keep the surface clean, tidy, and free from unrelated materials and ensure that there is adequate lighting.
- Always keep your hands and feet away from the working area.
- Do not allow untrained persons to operate the lift.
- Do not expose the lift to rain or snow.
- Ensure you read, understand, and apply the safety instructions and warnings before use. Failure to follow these instructions may result in property damage and/or personal injury.

Maintenance

- When not in use, the lift must be stored in the lowest position in a dry location.
- Keep the lift clean and wipe off any oil or grease. Lubricate all moving parts.
- Before each use, check all parts. If any part of the lift is damaged or suspect, remove the lift from service and take necessary action to repair.

Parts List



Part	Description	Quantity
1	Inside Lifting Arm	1
2	Outside Lifting Arm	1
3	Inside Fixing Spindle	1
4	Outside Removable Spindle	1
5	Outside Fixing Spindle	1
6	Inside Removable Spindle	1
7	Inside Frame Roller	2
8	Outside Frame Roller	2
9	Lifting Screw	1
10	Bearing	1
11	Fixing Nut	1
12	Lock Nut M6	1

Part	Description	Quantity
13	Bolt M8x12	4
14	Base Plate	1
15	Platform	1
16	Bolt	2
17	Adjustable Plate	2
18	Saddle	2
19	Handle	1
20	Connect Pin	1
21	Washer M6	2
22	Bolt M6	2
23	Washer M6	2

Product Warranty and Liability

GENERAL PRODUCT WARRANTY: Products purchased from the Authorized Dealer (original place of purchase) or Merchant (“Dealer”) will be free of defects in material and workmanship at the time of receipt, and will meet the specifications stated at the place of purchase transaction or online at the Dealer’s website, under normal use and service when correctly installed, operated and maintained. This product warranty is effective for the period of time stated below, unless otherwise stated in the product instructions or depicted in the product advertisement. **All Authorized Dealer warranties are NON-TRANSFERABLE** and cover only the original end purchaser. This limited warranty does not cover products purchased through non-authorized dealers. Non-authorized dealer receipts are not accepted for warranty verification.

*****Warranty claims must be made directly to the original place of purchase.*****

WARRANTY PERIOD: This warranty remains in force for one year from the date of the product’s accepted delivery. The Authorized Dealer offers a one year manufacturer’s warranty for most products unless otherwise specified on the product advertisement.

WARRANTY SERVICE: The Authorized Dealer will replace any defective or malfunctioning part at no charge, including payment of the shipping costs of parts or replacement product to and from the manufacturer. The purchaser is responsible for labor charges. If the product does not meet specifications as depicted in the advertisement, the Authorized Dealer will refund the full purchase price of the product.

Questions regarding the warranty on a specific product and warranty claims should be directed to the Authorized Dealer with whom the purchase transaction was made.

WARRANTY LIMITATIONS: The above warranty does not apply to products that are repaired, modified or altered by any party other than the Authorized Dealer; are subjected to unusual physical stress or conditions (such as overloaded ramps or corrosion), natural disaster, governmental actions, wars, strikes, labor disputes, riots, theft, vandalism, terrorism or any reason beyond reasonable control; are damaged due to improper installation, misuse, abuse, accident or negligence in use, storage, transportation or handling, or tampering; or to products that are considered consumable items or items requiring repair or replacement due to normal wear and tear.

Product should be inspected prior to signing for delivery. Product damage incurred during shipping, unless noted on the Bill of Lading at the time of delivery, renders this warranty void.

LIMITED LIABILITY: In no event shall THE AUTHORIZED DEALER be liable to the purchaser or any third party for any indirect, incidental, consequential, special, exemplary or punitive damages arising out of the use of the product, including, without limitation, property damage, loss of value of the product or any third party products that are used in or with the product, or loss of use of the product or any third party products that are used in or with the product.

