



Motorcycle Dolly

Instructions for Part # CRUISER-DOLLY, MC-DOLLY



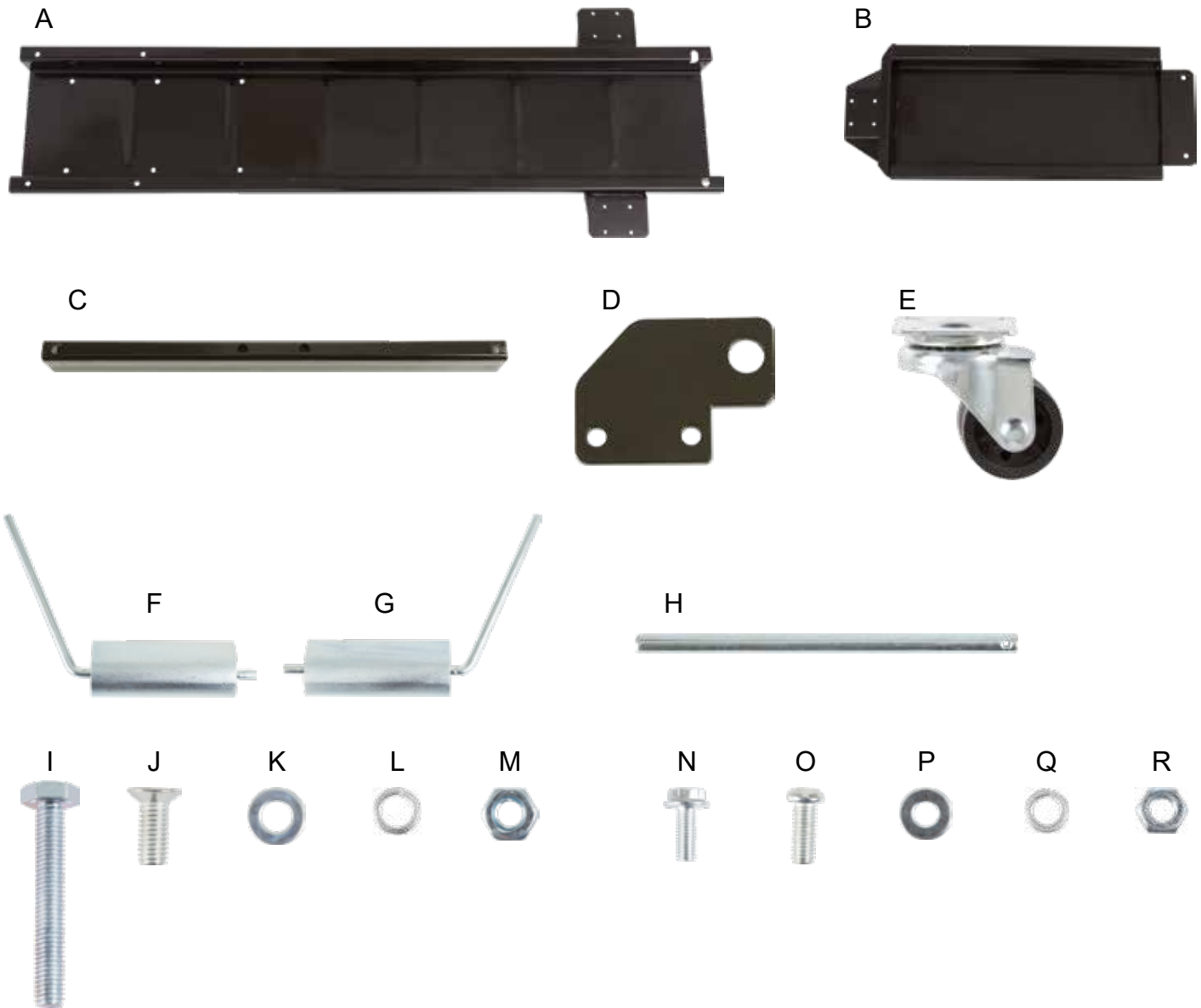
General Guidelines

- It is the user's responsibility to read and follow all instructions.
- Keep these instructions with the product at all times and review before each use.
- It is the responsibility of this product's owner to furnish the instructions to any person that borrows or purchases the product.
- Inspect the product before use to ensure it is assembled properly and all parts are in safe working order and free of defects.
- Never modify this product in any way.
- All circumstances cannot be addressed in these instructions. Please use common sense and practice general safety measures when using this product.
- Parts and/or instructions are subject to change without notice.

Safety

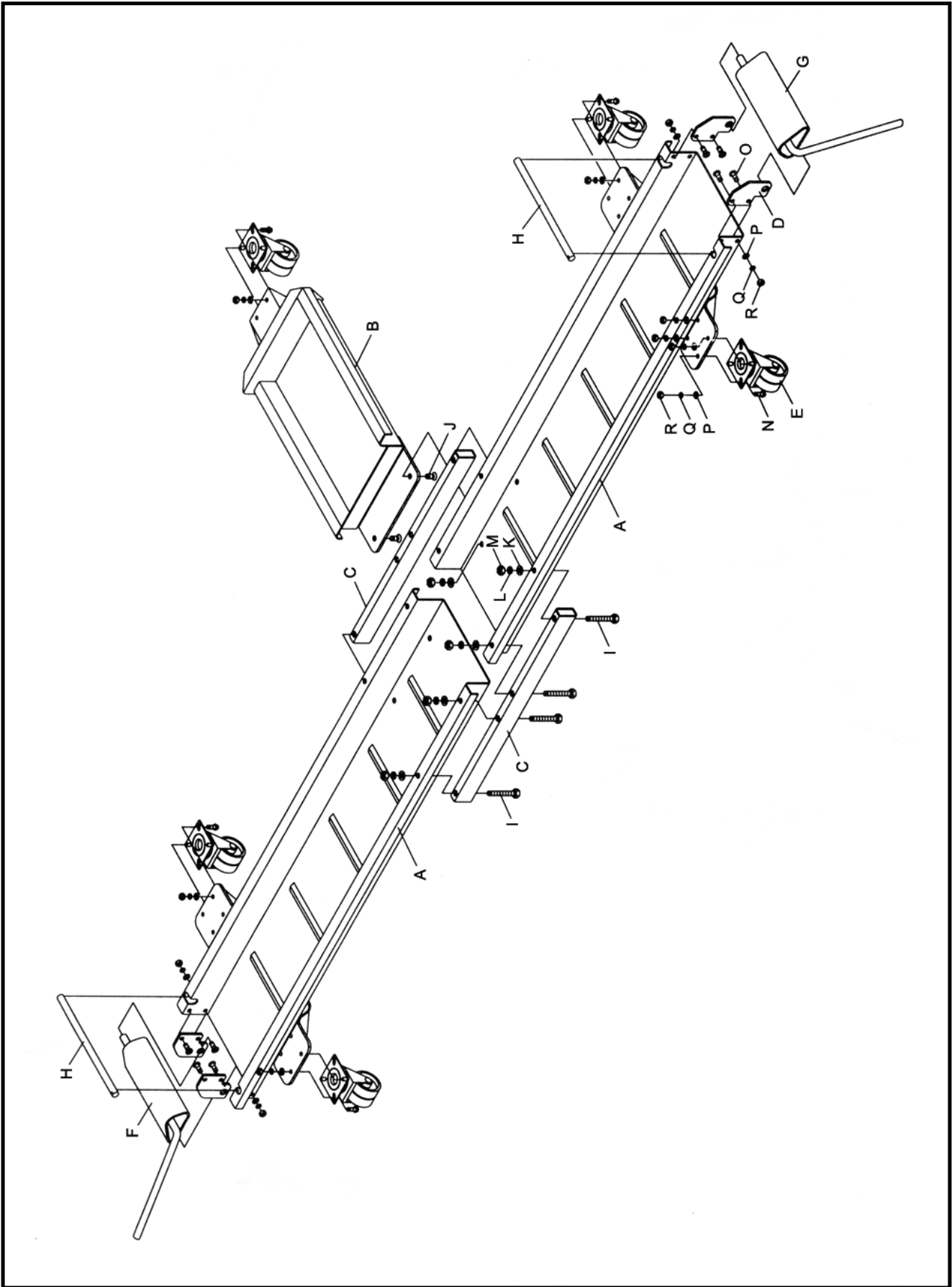
- Keep the dolly clean and well maintained for safe performance.
- The weight capacity is 1,250 lbs. Do not exceed this rated capacity.
- This dolly is designed for moving a motorcycle. Do not use it for any other purpose it is not designed to perform.
- Do not use the dolly to carry or move a person, and do not sit on the dolly.
- Keep children and unauthorized people away from the work area.
- Remove loose clothing, ties, watches, rings, and other loose jewelry and tie back long hair.
- Wear ANSI approved safety goggles when operating the dolly.
- Keep proper balance and footing. Do not overreach and wear non-skid footwear.
- Only use the dolly on a surface that is stable, level, dry, not slippery, and capable of sustaining the load.
- Put the handles down when not in use. Lock it in a safe, dry place and keep away from children.
- Always keep hands and feet away from moving parts.
- Do not operate the dolly when you are tired or under the influence of alcohol, drugs, or any intoxicating medication.
- Do not expose the dolly to rain or snow.
- If the dolly is in need of repair and/or there is any part which needs to be replaced, have it repaired by an authorized technician and only use replacement parts supplied by the manufacturer.

Parts



Part	Description	Quantity
A	Track Plate	2
B	Kickstand Plate	1
C	Connector Bar	2
D	Connector Plate	4
E	Caster Wheel Assembly	5
F	Ramp Gate A	1
G	Ramp Gate B	1
H	Safety Pin	2
I	M8x55 Hex Bolt	8

Part	Description	Quantity
J	M8x20 Flat Head Bolt	2
K	M8 Washer	10
L	M8 Lock Washer	10
M	M8 Nut	10
N	M6x16 Hex Bolt	20
O	M6x16 Round Head Bolt	8
P	M6 Washer	28
Q	M6 Lock Washer	28
R	M6 Nut	28



Assembly

Step 1. Attach the five caster wheels to the track plates and kickstand plate using the M6x16 hex bolts, washers, lock washers, and nuts. Tighten securely.



Step 2. Attach the ramp gates to the ends of the track plates using the connector plates, M6x15 round head bolts, washers, lock washers, and nuts. Tighten securely.



Step 3. Connect the two track plates using the two connector bars, M8x55 hex bolts, washers, lock washers, and nuts.



Step 4. Connect the kickstand plate to the track plate assembly using the M8x15 flat head bolts, washers, lock washers, and nuts. The kickstand plate may be placed in five different positions on either side of the track. Attach the plate in the appropriate position for your motorcycle's kickstand. Tighten securely. Place the two safety pins in the slots on each end of the track plates.



Operation

Step 1. When in use, put the handles on the ramp gates down to lock the dolly. This also allows the motorcycle to be pushed onto the track easily.

Step 2. Take the safety pin off on one side, then push the motorcycle onto the dolly. Put down the kickstand onto the kickstand tray to support the bike. Put the safety pin back in place.

Step 3. Pull back the handles on the ramp gates to allow the dolly to move again.



Maintenance

Step 1. Check all nuts to make sure they are securely in place.

Step 2. Periodically check all the joints. Do not use if there are any cracks or if the frame is bent or deformed.

Step 3. Lubricate the wheels periodically for best use.

Step 4. Put the handles down on the ramp gates when not in use to lock the wheels.

Product Warranty and Liability

GENERAL PRODUCT WARRANTY: Products purchased from the Authorized Dealer (original place of purchase) or Merchant (“Dealer”) will be free of defects in material and workmanship at the time of receipt, and will meet the specifications stated at the place of purchase transaction or online at the Dealer’s website, under normal use and service when correctly installed, operated and maintained. This product warranty is effective for the period of time stated below, unless otherwise stated in the product instructions or depicted in the product advertisement. **All Authorized Dealer warranties are NON-TRANSFERABLE** and cover only the original end purchaser. This limited warranty does not cover products purchased through non-authorized dealers. Non-authorized dealer receipts are not accepted for warranty verification.

*****Warranty claims must be made directly to the original place of purchase.*****

WARRANTY PERIOD: This warranty remains in force for one year from the date of the product’s accepted delivery. The Authorized Dealer offers a one year manufacturer’s warranty for most products unless otherwise specified on the product advertisement.

WARRANTY SERVICE: The Authorized Dealer will replace any defective or malfunctioning part at no charge, including payment of the shipping costs of parts or replacement product to and from the manufacturer. The purchaser is responsible for labor charges. If the product does not meet specifications as depicted in the advertisement, the Authorized Dealer will refund the full purchase price of the product.

Questions regarding the warranty on a specific product and warranty claims should be directed to the Authorized Dealer with whom the purchase transaction was made.

WARRANTY LIMITATIONS: The above warranty does not apply to products that are repaired, modified or altered by any party other than the Authorized Dealer; are subjected to unusual physical stress or conditions (such as overloaded ramps or corrosion), natural disaster, governmental actions, wars, strikes, labor disputes, riots, theft, vandalism, terrorism or any reason beyond reasonable control; are damaged due to improper installation, misuse, abuse, accident or negligence in use, storage, transportation or handling, or tampering; or to products that are considered consumable items or items requiring repair or replacement due to normal wear and tear.

Product should be inspected prior to signing for delivery. Product damage incurred during shipping, unless noted on the Bill of Lading at the time of delivery, renders this warranty void.

LIMITED LIABILITY: In no event shall THE AUTHORIZED DEALER be liable to the purchaser or any third party for any indirect, incidental, consequential, special, exemplary or punitive damages arising out of the use of the product, including, without limitation, property damage, loss of value of the product or any third party products that are used in or with the product, or loss of use of the product or any third party products that are used in or with the product.

