



Pneumatic Motorcycle Lift Table Instructions for Part # BW-1000A



General Guidelines

- It is the user's responsibility to read and follow all instructions.
- Keep these instructions with the product at all times and review before each use.
- It is the responsibility of this product's owner to furnish the instructions to any person that borrows or purchases the product.
- Inspect the product before use to ensure it is assembled properly and all parts are in safe working order and free of defects.
- Never modify this product in any way.
- All circumstances cannot be addressed in these instructions. Please use common sense and practice general safety measures when using this product.
- Parts and/or instructions are subject to change without notice.

Safety

- A qualified person should maintain the lift, keeping it in good condition. Keep it clean for best and safest performance.
- The maximum load is 1000 lbs. **DO NOT** exceed this rated capacity.
- Connect the foot-operated air valve to maximum 100psi air supply. **DO NOT** exceed this rated air pressure.
- Use this lift for lifting purposes only. **DO NOT** use it for any other purpose it is not designed to perform.
- Keep children and unauthorized persons away from the work area.
- Remove loose clothing. Remove ties, watches, rings, and other loose jewelry, and contain long hair.
- Wear ANSI approved safety goggles when operating the lift.
- Do not mount the table when in an elevated position.
- The foot-operated air valve should be at least 3 feet away from the air lift during raising and lowering operation.
- Only use this lift on a surface that is stable, level, dry, and not slippery, and capable of sustaining the load. Keep the surface clean, tidy, and free from unrelated materials and ensure that there is adequate lighting.
- Before lifting a motorcycle, ensure the weight of the motorcycle has been fully supported by the lift platform. **DO NOT put the rear wheel of the motorcycle on the ramp and DO NOT use the ramp to support the weight of the motorcycle when lifting.** The ramp is only used to help you wheel the motorcycle onto the platform when the lift is at its lowest position.
- **DO NOT** ride a vehicle onto the lift. Ensure the motorcycle is adequately secured to the lifting platform with appropriate straps before lifting.
- Keep the safety bar (4) in position at all times except when lowering the lift.
- Before lowering the lift, ensure that there are no obstructions underneath and that all persons are standing clear.
- Always keep your hands and feet away from moving parts.
- The lift must be in the lowered position when moving. **DO NOT** attempt to transport a load on the lift.
- **DO NOT** use the lift if damaged, any suspect parts are noted, or it has been subjected to a shock load.
- **DO NOT** operate the lift when you are tired or under the influence of alcohol, drugs, or any intoxicating medication.
- **DO NOT** allow untrained persons to operate the lift.
- **DO NOT** make any modifications to the lift.
- Recommended for indoor use only. **DO NOT** expose the lift to rain, snow, or excessive moisture.
- If the lift needs repairing and/or there are any parts which need to be replaced, have it repaired by authorized technicians and only use the replacement parts supplied by the manufacturer.

Specifications

- Capacity: 1000 lbs (454 kg)
 - Length: 78-3/4" (2000mm)
 - Max Height: 31-1/4" (795mm)
 - Air Inlet Fitting: 1/4" NPT
 - Width: 24" (610mm)
 - Min Height: 7-1/2" (190mm)
 - Air Pressure: 90-100PSI
-

Assembly

Use the exploded drawing as your guide to assemble. Lay all parts and assemblies out in front of you before beginning. The following procedure is recommended. Should there be any damaged or missing parts, contact your supplier immediately.

1. Attach the ramp (03) to the end of the platform (01).
2. Place the removable plate (02) to the platform (01) to cover the rear wheel removal aperture.
3. Assemble the stop plate (18) and wheel vise assemblies to the front of the platform using bolts (16), washers (19), and nuts (20).
4. Connect foot-operated air valve (72) to a maximum 100psi air supply.

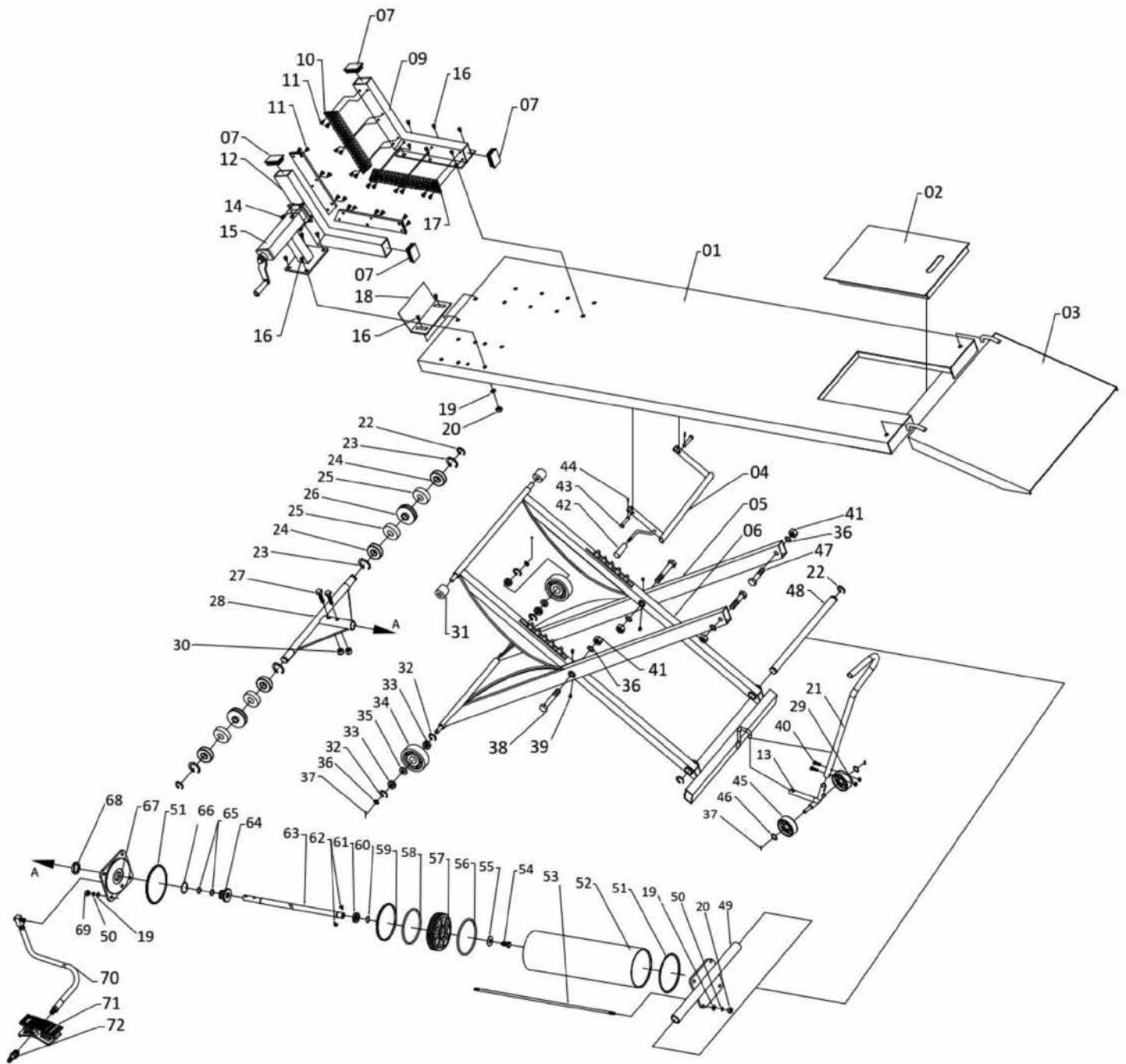
Parts List

Part	Description	Qty
1	Platform	1
2	Removable Plate	1
3	Ramp	1
4	Detent Bar	1
5	Outside Lifting Arm	1
6	Inside Lifting Arm	1
7	Pipe Plug	4
9	Stationary Vise Assy	1
10	Rubber Pad 1	2
11	Bolt	24
12	Movable Vise Assy	1
13	Connecting Shaft	1
14	Bolt	4
15	Adjustable Shelf	1
16	Bolt	12
17	Rubber Pad 2	2
18	Stop Plate	1
19	Washer	20
20	Nut	16
21	Handle	1
22	Retaining Ring	4
23	Retaining Ring	4
24	Bearing	4
25	Bearing Cover	4

Part	Description	Qty
26	Cam Bearing Spacer	2
27	Bolt	2
28	Connection	1
29	Nut	2
30	Nut	2
31	Roller	2
32	Retaining Ring	4
33	Bearing	4
34	Wheel	2
35	Retaining Ring	2
36	Washer	6
37	Cotter Pin	4
38	Bolt	2
39	Oiler	4
40	Bolt	2
41	Nut	4
42	Handle Cover	1
43	Pin	2
44	R-Pin	2
45	Wheel	2
46	Washer	2
47	Bolt	2
48	Frame/Cylinder Pivot Shaft	1
49	Cylinder End Plate	1

Part	Description	Qty
50	Lock Washer	8
51	Nylon Ring	2
52	Cylinder	1
53	Bolt	4
54	Bolt	1
55	Washer	1
56	O-Ring	1
57	Piston	1
58	O-Ring	1
59	PTFE Gasket	1
60	O-Ring	1
61	Retaining Ring	1
62	Retaining Ring	1
63	Piston Rod	1
64	Shaft Bushing	1
65	O-Ring	2
66	O-Ring	1
67	Front Cover	1
68	Nut	1
69	Nut	5
70	Air Hose	1
71	Foot-Operated Air Valve	1
72	Air Hose Connector	1

Exploded Drawing



Before Each Use

1. Check and make sure the four stay bolts (53) are tight.
2. Check and ensure the clevis pins (43) are secured on the safety bar.
3. Check and ensure the wheels (34) are in their tracks.

Operating Instructions

Warning! Loads must be centered on platform at all times.

Warning! Loads must be firmly positioned and secured on table at all times.

1. Position the lift in a suitable area, checking that the surface on which the lift will stand is solid and flat (preferably concrete).
2. First, raise the lift to about a 20 cm height, then pull down the safety bar. Raise the lift to see if the safety bar can raise along with the lift smoothly and make sure it falls into the corresponding slot to stop the lift.
3. Wheel the motorcycle up the ramp and onto the platform.
4. Clamp the front wheel in the vise to prevent any movement of the motorcycle.
5. Strap the motorcycle securely to the platform.
6. Stand clear of the lift table and depress the UP side of the foot valve to raise the lift.
7. After raising the lift to the desired working height, make sure the safety bar falls into the corresponding slot to prevent accidental lowering.
8. When the work is done, pull the safety bar free from its locking position and make sure it is locked in its original position under the platform, then depress the DOWN side of the foot valve to lower the lift to the next position or to the floor.

Maintenance

1. Use only clean, dry air.
2. When not in use, the lift must be stored in the lowest position in a dry location.
3. Keep the lift clean and wipe off any oil or grease. Lubricate all moving parts.
4. Before each use check all parts. If any part of the lift is damaged or suspect, remove the lift from service and take necessary action to repair.
5. All moving parts should be lubricated every month to prevent galling.
6. The four stay bolts should be checked frequently to be sure they are tight.
7. Lightly oil the piston rod when it becomes dry.
8. Lubricate the piston and its seal every month with the following procedure: First, fully raise the lift and pull down the safety bar to lock the lift, then disconnect the foot-operated air valve. Add some oil into the cylinder through an air bleed hole in the front cover (67) of the cylinder.
9. All bolts and screws should be checked frequently to be sure they are tight.

Product Warranty and Liability

GENERAL PRODUCT WARRANTY: Products purchased from the Authorized Dealer (original place of purchase) or Merchant (“Dealer”) will be free of defects in material and workmanship at the time of receipt, and will meet the specifications stated at the place of purchase transaction or online at the Dealer’s website, under normal use and service when correctly installed, operated and maintained. This product warranty is effective for the period of time stated below, unless otherwise stated in the product instructions or depicted in the product advertisement. **All Authorized Dealer warranties are NON-TRANSFERABLE** and cover only the original end purchaser. This limited warranty does not cover products purchased through non-authorized dealers. Non-authorized dealer receipts are not accepted for warranty verification.

*****Warranty claims must be made directly to the original place of purchase.*****

WARRANTY PERIOD: This warranty remains in force for one year from the date of the product’s accepted delivery. The Authorized Dealer offers a one year manufacturer’s warranty for most products unless otherwise specified on the product advertisement.

WARRANTY SERVICE: The Authorized Dealer will replace any defective or malfunctioning part at no charge, including payment of the shipping costs of parts or replacement product to and from the manufacturer. The purchaser is responsible for labor charges. If the product does not meet specifications as depicted in the advertisement, the Authorized Dealer will refund the full purchase price of the product.

Questions regarding the warranty on a specific product and warranty claims should be directed to the Authorized Dealer with whom the purchase transaction was made.

WARRANTY LIMITATIONS: The above warranty does not apply to products that are repaired, modified or altered by any party other than the Authorized Dealer; are subjected to unusual physical stress or conditions (such as overloaded ramps or corrosion), natural disaster, governmental actions, wars, strikes, labor disputes, riots, theft, vandalism, terrorism or any reason beyond reasonable control; are damaged due to improper installation, misuse, abuse, accident or negligence in use, storage, transportation or handling, or tampering; or to products that are considered consumable items or items requiring repair or replacement due to normal wear and tear.

Product should be inspected prior to signing for delivery. Product damage incurred during shipping, unless noted on the Bill of Lading at the time of delivery, renders this warranty void.

LIMITED LIABILITY: In no event shall THE AUTHORIZED DEALER be liable to the purchaser or any third party for any indirect, incidental, consequential, special, exemplary or punitive damages arising out of the use of the product, including, without limitation, property damage, loss of value of the product or any third party products that are used in or with the product, or loss of use of the product or any third party products that are used in or with the product.

